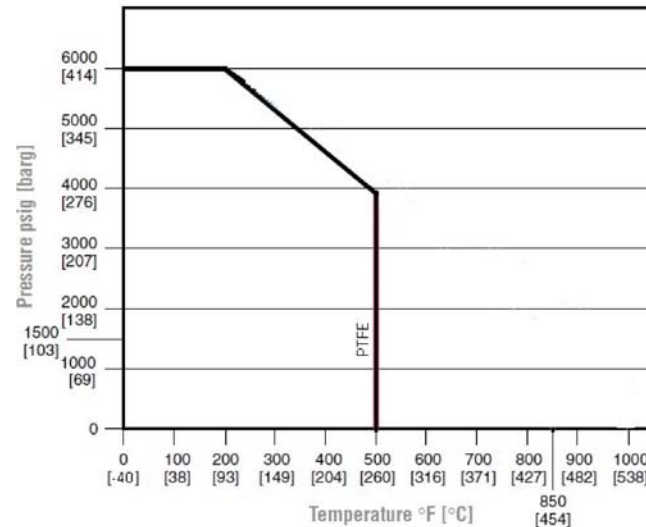
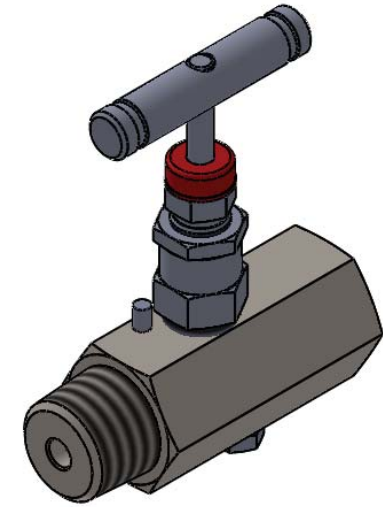


SECTION B-B



NOTES:-

1. ALL DIMENSIONS ARE IN MM. UNLESS SPECIFIED.
2. UNSPECIFIED GEN TOL. : ±0.5 MM MAX.
3. UNSPECIFIED GEN ANG. TOL. : ±0.1° MAX.
3. UNSPECIFIED ASLY. TOL. : ±2MM MAX.
4. UNSPECIFIED TOL. FOR FORGING : ±2 MM.(IF APPLICABLE)
5. MAX. WORKING PRESSURE : 6000 PSI

ITEM NO.	DESCRIPTION	MATERIAL	QTY.
1	MAIN BODY	ASTM A 479-316	1
2	GLAND BODY	ASTM A 479-316	1
3	RETAINER	ASTM A 479-316	1
4	PACKING	DELFIN	1
5	PACKING	TEFLON	2
6	WASHER	ASTM A 479-316	1
7	SPINDLE	ASTM A 479-316	1
8	VENT PLUG	ASTM A 479-316	1
9	LOCK NUT	ASTM A 479-316	1
10	DUST CAP	PLASTIC	1
11	GRUB SCREW	STAINLESS STEEL	1
12	HANDLE	SS	1
13	DOWEL PIN	ASTM A 105	1
14	BALL TIP	SS440C	1

TITLE:- 3/4" NPTM X 1/2" NPTFBLOCK AND BLEED VALVE

DRN.	PS	SCALE -	N.T.S	REV.	01
CHD.	SS	DATE -	23.03.18	PROJ.	
APPD.	DM	DRG.NO.-	PBB-H-S-128-MF-SG		

REV.	DESCRIPTION	DRN	CHD	APPD	DATE



PANAM ENGINEERS LTD
GUJARAT - INDIA

SHEET
1
OF
1