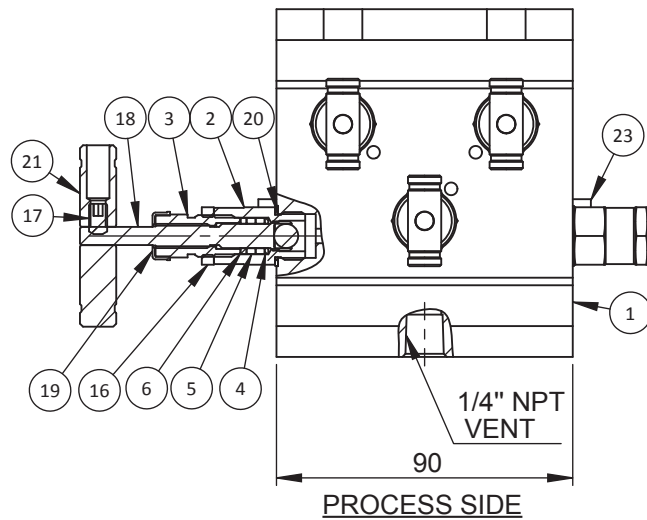
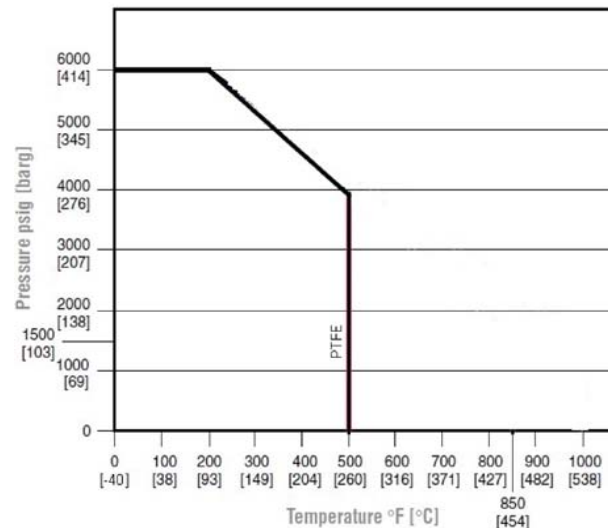
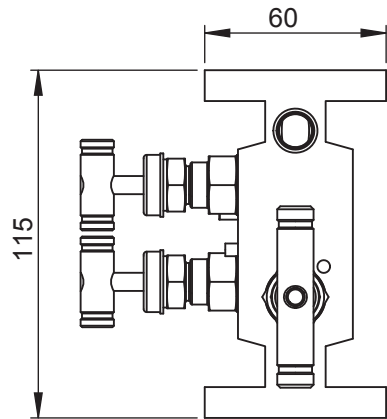


4 nos.
Ø 12.50mm
Mounting Holes

INSTRUMENT SIDE

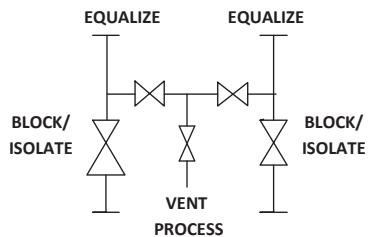


PROCESS SIDE



SCHMATIC

INSTRUMENT



NOTES:-

1. ALL DIMENSIONS ARE IN MM. UNLESS SPECIFIED.
2. UNSPECIFIED GEN TOL. : ±0.5 MM MAX.
3. UNSPECIFIED GEN ANG. TOL. : ±0.1° MAX.
4. UNSPECIFIED ASLY. TOL. : ±2MM MAX.
5. UNSPECIFIED TOL. FOR FORGING : ±2 MM.(IF APPLICABLE)

ITEM NO.	PART NUMBER	MATERIAL	QTY.
1	BODY	ASTM A 479-316	1
2	GLAND BODY	ASTM A 479-316	2
3	RETAINER	ASTM A 479-316	2
4	BACKUP RING	DELTRIN	2
5	PACKING	TEFLON	4
6	WASHER	ASTM A 479-316	2
7	WASHER	ASTM A 479-316	3
8	PACKING NUT	ASTM A 479-316	3
9	HANDLE	SS	3
10	SMALL GLAND BODY	ASTM A 479-316	3
11	SPINDLE	ASTM A 479-316	3
12	WASHER	ASTM A 479-316	3
13	WASHER	ASTM A 479-316	3
14	GRUB SCREW	SS	3
15	WASHER	ASTM A 479-316	3
16	LOCK NUT	ASTM A 479-316	2
17	GRUB SCREW	SS	2
18	SPINDLE	ASTM A 479-316	2
19	DUST CAP	PLASTIC	2
20	WASHER	ASTM A 479-316	2
21	HANDLE	SS	2
22	DUST CAP	PLASTIC	3
23	DOWEL PIN	ASTM A 479-316	5

TITLE:- 5 VALVE MANIFOLD VALVE H TYPE FLANGE TO FLANGE CONNECTION,,1/2"NPTF X 1/2"NPTF, 6000 PSI

DRN.	PS	SCALE - N.T.S	REV.	00
CHD.	SS	DATE - 23.03.18	PROJ.	
APPD.	DM	DRG.NO.- 5VM-SS-8-H-SG		



PANAM ENGINEERS LTD
GUJARAT - INDIA

REV.	DESCRIPTION	DRN	CHD	APPD	DATE

SHEET
1
OF
1