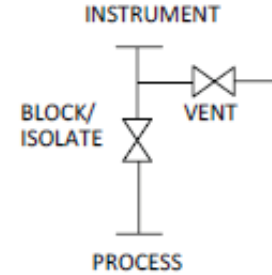
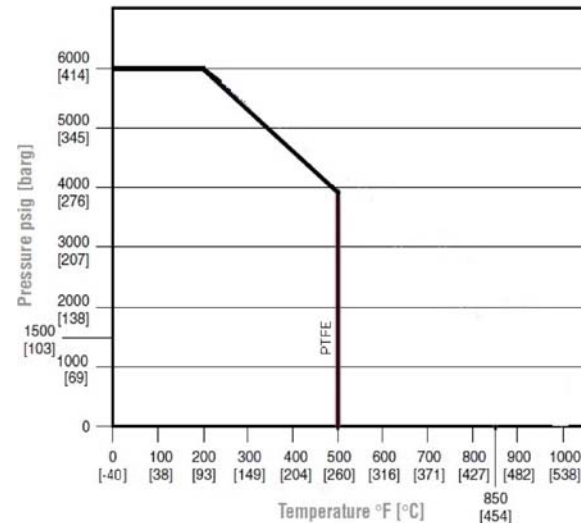
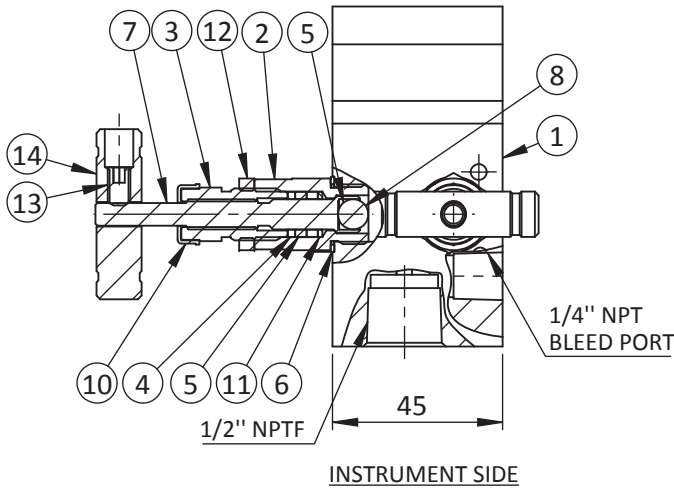


SCHMATIC



PROCESS SIDE



| ITEM NO. | DESCRIPTION | MATERIAL | QTY. |
|----------|-------------|----------------|------|
| 1 | BODY | ASTM A 479-316 | 1 |
| 2 | GLAND BODY | ASTM A 479-316 | 2 |
| 3 | RETAINER | ASTM A 479-316 | 2 |
| 4 | PACKING | DELFIN | 2 |
| 5 | PACKING | PTFE | 4 |
| 6 | WASHER | ASTM A 479-316 | 2 |
| 7 | SPINDLE | ASTM A 479-316 | 2 |
| 8 | BALL TIP | SS440C | 2 |
| 9 | DOWEL PIN | ASTM A 479-316 | 2 |
| 10 | DUST CAP | PLASTIC | 2 |
| 11 | WASHER | ASTM A 479-316 | 2 |
| 12 | LOCK NUT | SS | 2 |
| 13 | GRUB SCREW | ASTM A 479-316 | 2 |
| 14 | HANDLE | SS | 2 |

NOTES:-

- ALL DIMENSIONS ARE IN MM. UNLESS SPECIFIED.
- UNSPECIFIED GEN TOL. : ±0.5 MM MAX.
- UNSPECIFIED GEN ANG. TOL. : ±0.1° MAX.
- UNSPECIFIED ASLY. TOL. : ±2MM MAX.
- UNSPECIFIED TOL. FOR FORGING : ±2 MM.(IF APPLICABLE)

| REV. | DESCRIPTION | DRN | CHD | APPD | DATE |
|------|-------------|-----|-----|------|------|
| | | | | | |

TITLE:- 2 WAY MANIFOLD VALVE T TYPE PIPE TO FLANGE CONNECTION, SS316/NACE, 1/2"NPTF,6000 PSI

| | | | | |
|-------|----|------------------------|-------|----|
| DRN. | PS | SCALE - N.T.S | REV. | 00 |
| CHD. | SS | DATE - 23.03.18 | PROJ. | |
| APPD. | DM | DRG.NO.- 2VM-SS-8-T-SG | | |



PANAM ENGINEERS LTD
GUJARAT - INDIA

SHEET
1
OF
1