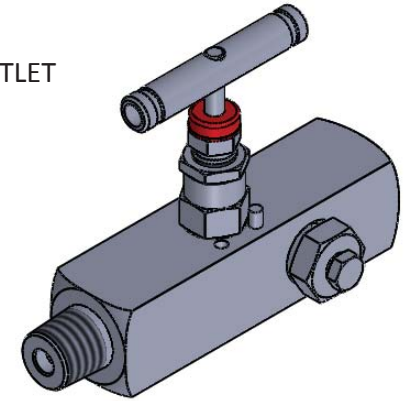
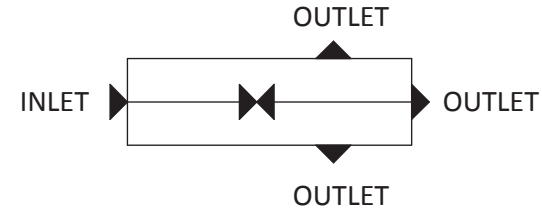
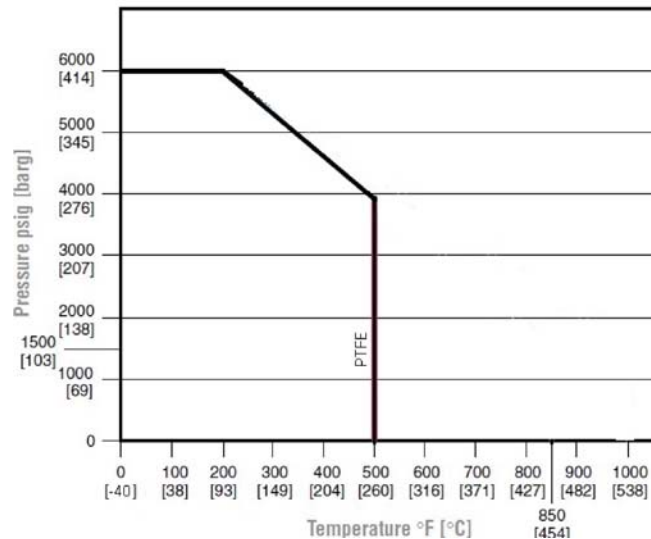


SCHMATIC



ITEM NO.	DESCRIPTION	MATERIAL	QTY.
1	BODY	ASTM A 479-316	1
2	GLAND BODY	ASTM A 479-316	1
3	RETAINER	ASTM A 479-316	1
4	BACKUP RING	DELRIN	1
5	PACKING	PTFE	1
6	WASHER	ASTM A 479-316	1
7	LOCK NUT	ASTM A 479-316	1
8	SPINDLE	ASTM A 479-316	1
9	GRUB SCREW	ASTM A 479-316	1
10	DUST CAP	PLASTIC	1
11	BALL TIP	SS440C	1
12	WASHER	ASTM A 479-316	1
13	DOWEL PIN	ASTM A 105	1



NOTES:-

- ALL DIMENSIONS ARE IN MM. UNLESS SPECIFIED.
- UNSPECIFIED GEN TOL. : ±0.5 MM MAX.
- UNSPECIFIED GEN ANG. TOL. : ±0.1° MAX.
- UNSPECIFIED ASLY. TOL. : ±2MM MAX.
- UNSPECIFIED TOL. FOR FORGING : ±2 MM.(IF APPLICABLE)
- MAX. WORKING PRESSURE : 6000 PSI

REV.	DESCRIPTION	DRN	CHD	APPD	DATE

TITLE:-

1/2" NPTM X 1/2" NPTF GAUGE ROOT VALVE

DRN.	PS	SCALE - N.T.S	REV.	00
CHD.	SS	DATE - 23.03.18	PROJ.	
APPD.	DM	DRG.NO.- PGRV-H-S-08-MF		



PANAM ENGINEERS LTD
GUJARAT - INDIA

SHEET
1
OF
1