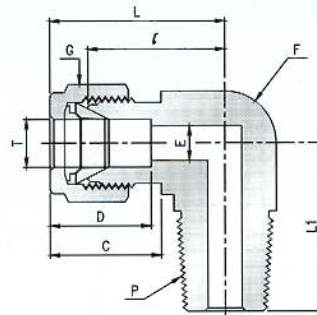
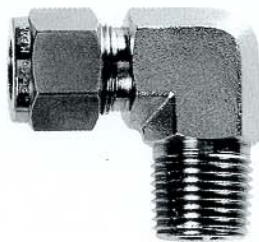


Male Elbow



Imperial Range:

Part No.	Tube O. D. T in	P * (NPT)	E Min	Width across flat		D	C	l	L	L ₁
				F in	G in					
PME-02-02	1/8	1/8	2.28	1/2	7/16	12.70	15.24	18.31	24.91	18.90
PME-02-04	1/8	1/4	2.28	1/2	7/16	12.70	15.24	18.31	24.91	23.36
PME-03-02	3/16	1/8	3.04	1/2	1/2	13.71	16.00	18.79	25.40	18.79
PME-03-04	3/16	1/4	3.04	1/2	1/2	13.71	16.00	18.79	25.40	23.36
PME-04-02	1/4	1/8	4.82	1/2	9/16	15.24	17.78	19.11	26.47	19.10
PME-04-04	1/4	1/4	4.82	1/2	9/16	15.24	17.78	19.82	27.18	23.87
PME-04-06	1/4	3/8	4.82	11/16	9/16	15.24	17.78	22.35	29.71	28.40
PME-04-08	1/4	1/2	4.82	13/16	9/16	15.24	17.78	24.61	31.97	35.10
PME-05-02	5/16	1/8	4.82	9/16	5/8	16.25	18.54	21.34	28.70	19.81
PME-05-04	5/16	1/4	6.35	9/16	5/8	16.25	18.54	22.41	29.77	24.50
PME-05-06	5/16	3/8	6.35	11/16	5/8	16.25	18.54	23.12	30.48	28.40
PME-06-02	3/8	1/8	4.82	5/8	11/16	16.76	19.30	23.12	30.48	20.60
PME-06-04	3/8	1/4	7.11	5/8	11/16	16.76	19.30	23.12	30.48	25.40
PME-06-06	3/8	3/8	7.11	11/16	11/16	16.76	19.30	23.88	31.24	28.44
PME-06-08	3/8	1/2	7.11	13/16	11/16	16.76	19.30	24.06	31.42	33.02
PME-06-12	3/8	3/4	7.11	1-1/16	11/16	16.76	19.30	29.72	37.08	36.83
PME-08-04	1/2	1/4	7.11	13/16	7/8	22.86	21.84	25.90	36.06	28.30
PME-08-06	1/2	3/8	9.65	13/16	7/8	22.86	21.84	25.90	36.06	28.30
PME-08-08	1/2	1/2	10.41	13/16	7/8	22.86	21.84	25.90	36.06	33.02
PME-08-12	1/2	3/4	10.41	1-1/16	7/8	22.86	21.84	29.71	39.87	36.83
PME-10-06	5/8	3/8	9.65	15/16	1	24.38	21.84	26.90	37.06	29.40
PME-10-08	5/8	1/2	11.93	15/16	1	24.38	21.84	26.90	37.06	34.00
PME-10-12	5/8	3/4	12.70	1-1/16	1	24.38	21.84	29.71	39.87	36.83
PME-12-08	3/4	1/2	11.93	1-1/16	1-1/8	24.38	21.84	29.71	39.87	37.00
PME-12-12	3/4	3/4	15.74	1-1/16	1-1/8	24.38	21.84	29.71	39.87	36.83
PME-14-12	7/8	3/4	15.74	1-1/4	1-1/4	25.90	21.84	34.54	44.70	41.65
PME-16-12	1	3/4	15.74	1-27/64	1-1/2	31.24	26.41	36.83	49.02	42.20
PME-16-16	1	1	22.35	1-27/64	1-1/2	31.24	26.41	36.83	49.02	46.70

All dimensions are in millimeters unless otherwise specified. Dimensions are for reference only, subject to change.