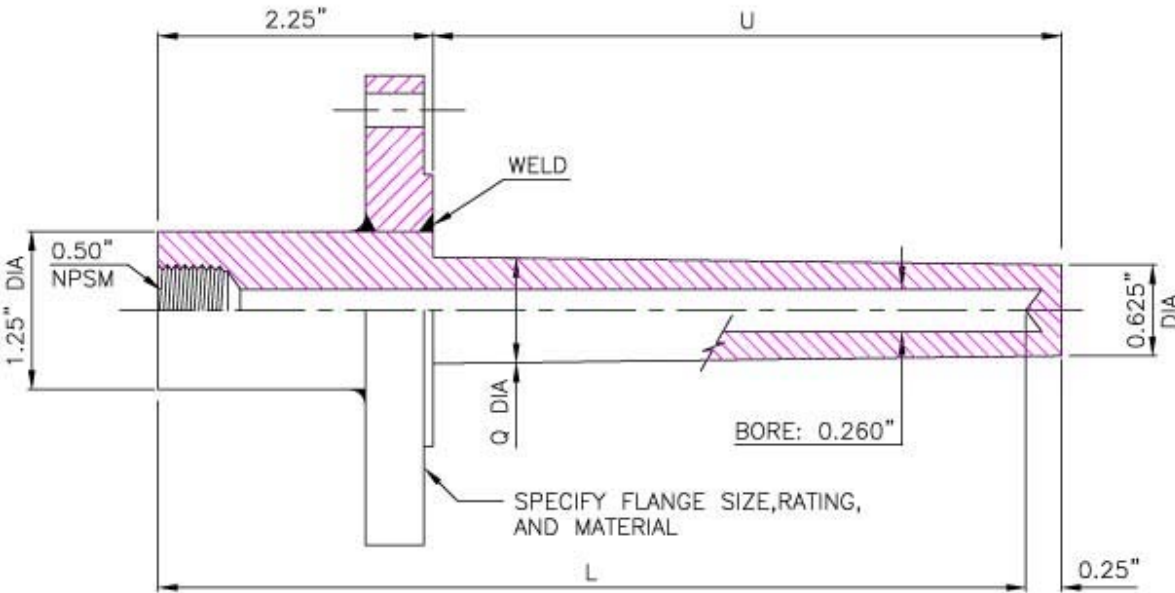


Raised Face , Flanged , Tapered Shank , 1/4" Nominal Bore



Part #	P	U	L	D
10TW-0200-FG-260	1"	2"	4"	7/8"
10TW-0400-FG-260		4"	6"	7/8"
10TW-0700-FG-260		7"	9"	7/8"
10TW-1000-FG-260		10"	12"	7/8"
10TW-1300-FG-260		13"	15"	7/8"
10TW-1600-FG-260		16"	18"	7/8"
10TW-2200-FG-260		22"	24"	7/8"
15TW-0200-FG-260	1-1/2"	2"	4"	7/8"
15TW-0400-FG-260		4"	6"	7/8"
15TW-0700-FG-260		7"	9"	7/8"
15TW-1000-FG-260		10"	12"	7/8"
15TW-1300-FG-260		13"	15"	7/8"
15TW-1600-FG-260		16"	18"	7/8"
15TW-2200-FG-260		22"	24"	7/8"
20TW-0200-FG-260	2"	2"	4"	7/8"
20TW-0400-FG-260		4"	6"	7/8"
20TW-0700-FG-260		7"	9"	7/8"
20TW-1000-FG-260		10"	12"	7/8"
20TW-1300-FG-260		13"	15"	7/8"
20TW-1600-FG-260		16"	18"	7/8"
20TW-2200-FG-260		22"	24"	7/8"