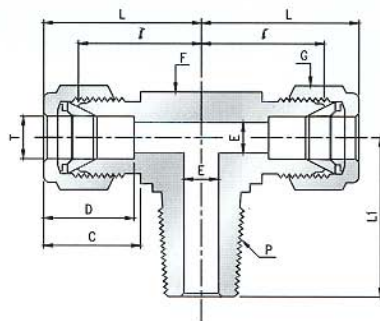


Male Branch Tee



Imperial Range:

Part No.	Tube O. D. T in	P * (NPT)	E Min	Width across flat		D	C	ℓ	L	L ₁
				F	G					
				in	in					
PMBT-02-02	1/8	1/8	2.28	1/2	7/16	12.70	15.24	18.31	24.91	18.90
PMBT-02-04	1/8	1/4	2.28	1/2	7/16	12.70	15.24	18.31	24.91	23.36
PMBT-03-02	3/16	1/8	3.04	1/2	1/2	13.71	16.00	17.77	24.38	17.78
PMBT-04-02	1/4	1/8	4.82	1/2	9/16	15.24	17.78	19.56	26.92	18.79
PMBT-04-04	1/4	1/4	4.82	1/2	9/16	15.24	17.78	19.72	27.08	23.37
PMBT-05-02	5/16	1/8	4.82	9/16	5/8	16.25	18.54	22.35	29.71	20.82
PMBT-06-04	3/8	1/4	7.11	5/8	1/16	16.76	19.30	23.12	30.48	25.40
PMBT-06-06	3/8	3/8	7.11	11/16	11/16	16.76	19.30	23.88	31.24	26.20
PMBT-08-06	1/2	3/8	9.65	13/16	7/8	22.86	21.84	25.9	36.06	28.19
PMBT-08-08	1/2	1/2	10.41	13/16	7/8	22.86	21.84	25.9	36.06	33.02
PMBT-10-08	5/8	1/2	11.93	15/16	1	24.86	21.84	27.46	38.10	35.05
PMBT-12-12	3/4	3/4	15.74	1-1/16	1-1/8	24.38	21.84	28.19	38.35	35.30

Metric Range:

Part No.	Tube O. D. T mm	P * (NPT)	E Min	Width across flat		D	C	ℓ	L	L ₁
				F	G					
				mm	mm					
PMBT-M03-02	3	1/8	2.4	12.7	12	12.9	15.3	17.0	23.6	17.8
PMBT-M03-04	3	1/4	2.4	12.7	12	12.9	15.3	18.0	24.6	23.4
PMBT-M04-02	4	1/8	2.4	12.7	12	13.7	16.1	18.8	25.4	18.8
PMBT-M06-02	6	1/8	4.8	12.7	14	15.3	17.7	19.6	27.0	18.8
PMBT-M06-04	6	1/4	4.8	14.2	14	15.3	17.7	19.6	27.0	23.4
PMBT-M08-02	8	1/8	4.8	14.3	16	16.2	18.6	21.3	28.8	19.8
PMBT-M08-04	8	1/4	6.4	17.5	16	16.2	18.6	21.3	28.8	24.4
PMBT-M10-04	10	1/4	7.1	17.5	19	17.2	19.5	23.9	31.5	28.2
PMBT-M10-06	10	3/8	7.9	20.6	19	17.2	19.5	23.9	31.5	28.2
PMBT-M12-04	12	1/4	7.1	20.6	22	22.8	22.0	25.9	36.0	28.2
PMBT-M12-06	12	3/8	9.5	20.6	22	22.8	22.0	25.9	36.0	28.2
PMBT-M12-08	12	1/2	9.5	20.6	22	22.8	22.0	25.9	36.0	33.0
PMBT-M16-06	16	3/8	9.5	25.4	25	24.4	22.0	27.9	38.0	30.2
PMBT-M16-08	16	1/2	11.9	25.4	25	24.4	22.0	27.9	38.0	35.1
PMBT-M20-12	20	3/4	15.9	31.8	32	26.0	22.0	34.5	44.6	41.7

All dimensions are in millimeters unless otherwise specified. Dimensions are for reference only, subject to change.