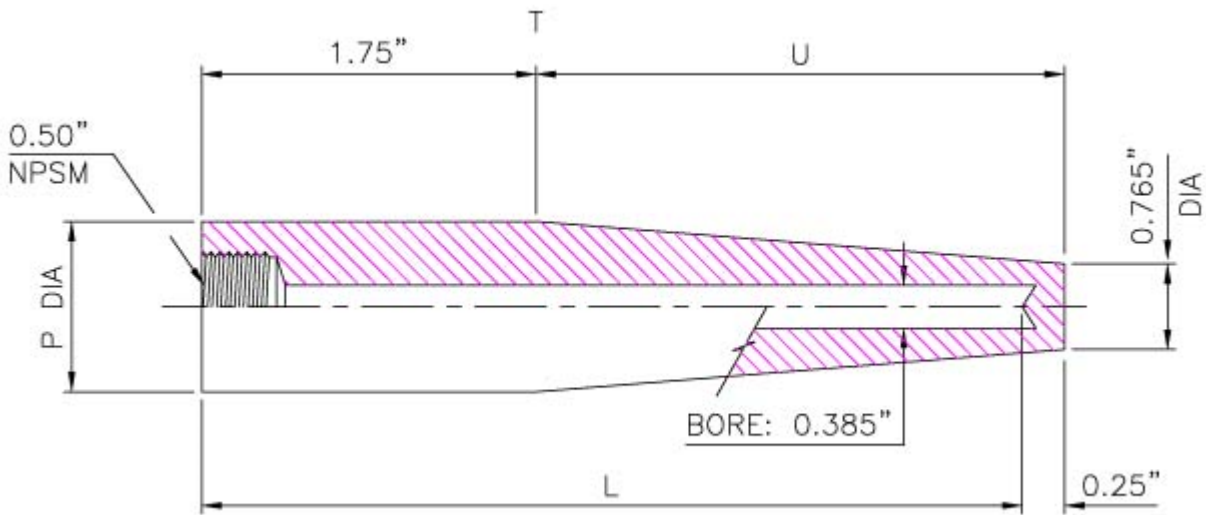


## Weld-In , Tapered Shank Shank , 3/8" Nominal Bore



Part #	P	U	L
075TW-0250-W-385	3/4"Nominal 1.05" Dia	2-1/2"	4"
075TW-0450-W-385		4-1/2"	6"
075TW-0750-W-385		7-1/2"	9"
075TW-1050-W-385		10-1/2"	12"
075TW-1350-W-385		13-1/2"	15"
075TW-1650-W-385		16-1/2"	18"
075TW-2250-W-385		22-1/2"	24"
100TW-0250-W-385	1"Nominal 1.315" Dia	2-1/2"	4"
100TW-0450-W-385		4-1/2"	6"
100TW-0750-W-385		7-1/2"	9"
100TW-1050-W-385		10-1/2"	12"
100TW-1350-W-385		13-1/2"	15"
100TW-1650-W-385		16-1/2"	18"
100TW-2250-W-385		22-1/2"	24"