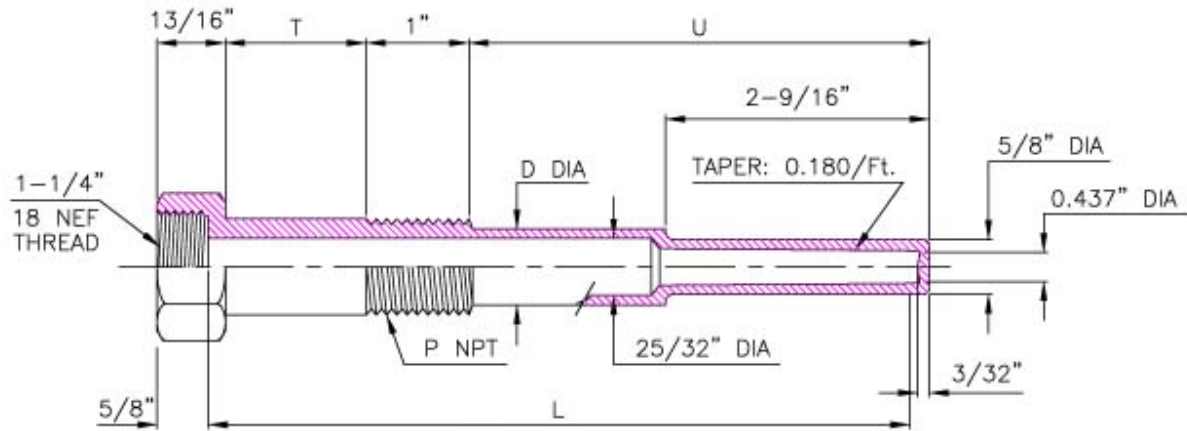


## Thermowells for Industrial Glass Thermometers with Lagging Extension



Part #	P	Nominal Element Length	Insert Length U	Legging Extension T	Element Length L	Shank Dia D
075TW-600-TIL-260	3/4"	6"	2-9/16"	2-1/2"	6-1/8"	-
075TW-900-TIL-260		9"	5-1/16"	3"	9-1/8"	7/8"
075TW-1200-TIL-260		12"	8-1/16"	3"	12-1/8"	7/8"
075TW-1800-TIL-260		18"	14-1/16"	3"	18-1/8"	7/8"
075TW-2400-TIL-260		24"	20-1/16"	3"	24-1/8"	7/8"
100TW-600-TIL-260	1"	6"	2-9/16"	2-1/2"	6-1/8"	-
100TW-900-TIL-260		9"	5-1/16"	3"	9-1/8"	1"
100TW-1200-TIL-260		12"	8-1/16"	3"	12-1/8"	1"
100TW-1800-TIL-260		18"	14-1/16"	3"	18-1/8"	1"
100TW-2400-TIL-260		24"	20-1/16"	3"	24-1/8"	1"