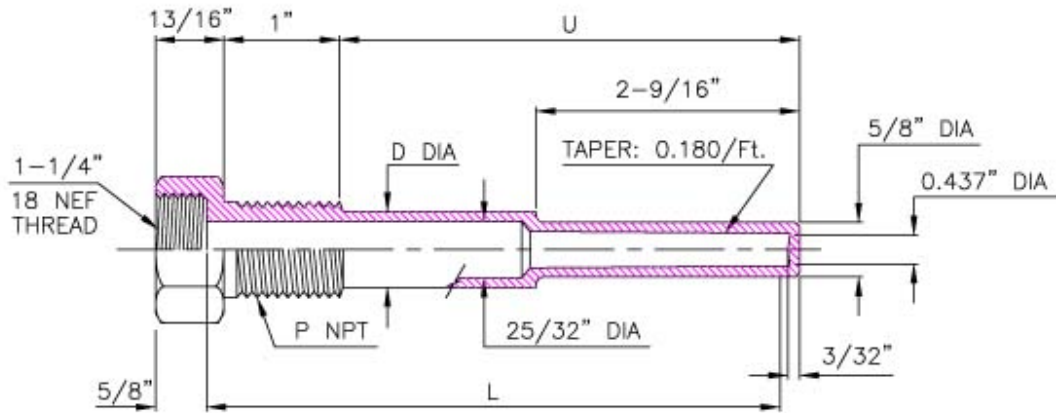


Thermowells for Industrial Glass Thermometers



Part #	P	Nominal Element Length	Insert Length U	Element Length L	Shank Dia D
075TW-350-TI-260	3/4"	3-1/2"	2-9/16"	3-5/8"	-
075TW-600-TI-260		6"	5-1/16"	6-1/8"	7/8"
075TW-900-TI-260		9"	8-1/16"	9-1/8"	7/8"
075TW-1200-TI-260		12"	11-1/16"	12-1/8"	7/8"
075TW-1800-TI-260		18"	17-1/16"	18-1/8"	7/8"
075TW-2400-TI-260		24"	23-1/16"	24-1/8"	7/8"
100TW-350-TI-260	1"	3-1/2"	2-9/16"	3-5/8"	-
100TW-600-TI-260		6"	5-1/16"	6-1/8"	1"
100TW-900-TI-260		9"	8-1/16"	9-1/8"	1"
100TW-1200-TI-260		12"	11-1/16"	12-1/8"	1"
100TW-1800-TI-260		18"	17-1/16"	18-1/8"	1"
100TW-2400-TI-260		24"	23-1/16"	24-1/8"	1"