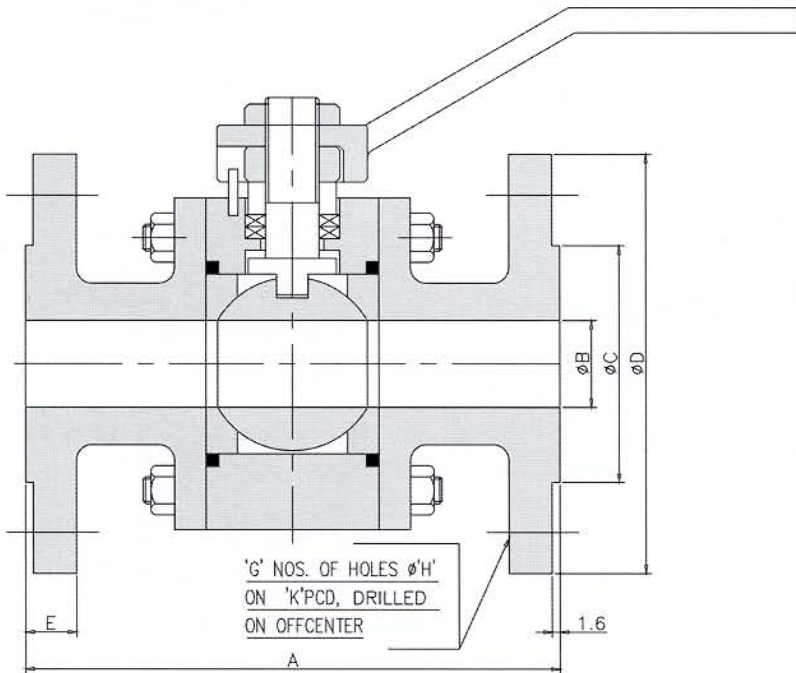


DESIGN FEATURES:-

- 1) MFG. STD. - BS 5351
ANSI B16.34
- 2) FACE TO FACE AS PER
ANSI B16.10
- 3) FLANGE ENDS AS PER
ANSI B16.5
- 4) TESTED AS PER BS 6755,
API 598
- 5) AVAILABLE WITH
ACTUATOR OPERATOR
AND OTHER ACTUATORS

Material of Construction

Sr No.	Part	Qty.	Material	Specification
1	Body	1	Stainless Steel / CS	S.S. AISI 304/316
2	Side Piece	2	Stainless Steel / CS	S.S. AISI 304/316
3	Seat Rings	2	PTFE	
4	Ball	1	Stainless Steel	S.S. AISI 304/316
5	Stem	1	Stainless Steel	S.S. AISI 304/316
6	Body Seal	2	PTFE	
7	Gland Packing	3	PTFE	
8	Gland	1	Stainless Steel / CS	S.S. AISI 304/316
9	Gland Nut	1	Stainless Steel / CS	S.S. AISI 304/316
10	Stud & Nut	REQ AS	Alloy Steel	A 193 Gr. B7/A914 Gr. 2H
11	Handle	1	Carbon Steel (Cadmium Plated)	



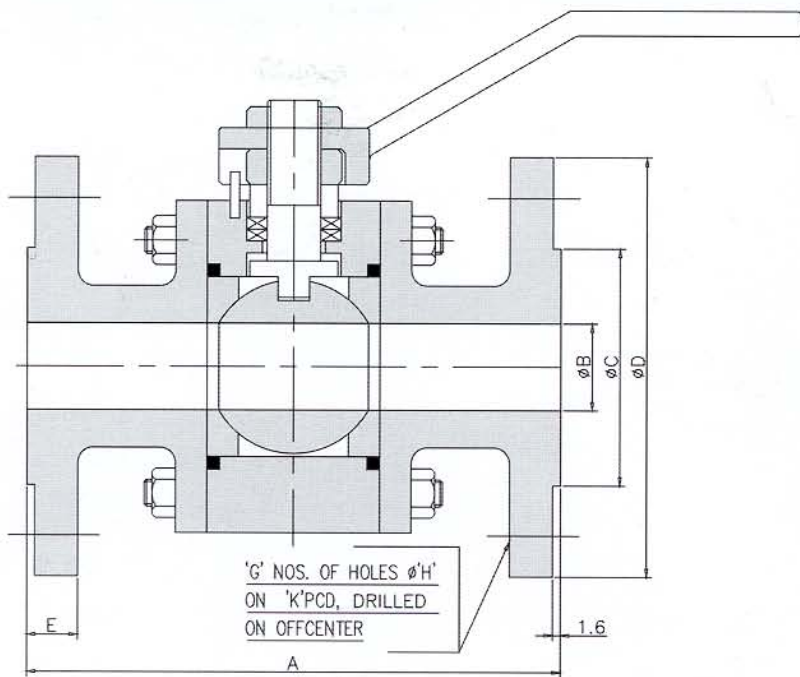
DESIGN FEATURES:-

- 1) MFG. STD. BS 5351
ANSI B16.34
- 2) FACE TO FACE AS PER
ANSI B16.10
- 3) FLANGE ENDS AS PER
ANSI B16.5
- 4) TESTED AS PER BS 6755,
API 598
- 5) AVAILABLE WITH
ACTUATOR OPERATOR
AND OTHER ACTUATORS

Class-150

Size (NB)	A	B	C	D	E	G	H	K
1/2" (15)	108	12.5	35.1	88.9	11.1	4	15.8	60.5
3/4" (20)	118	17.0	42.9	98.6	11.1	4	15.8	69.9
1" (25)	127	24.0	50.8	108.0	11.1	4	15.8	79.2
1-1/2" (40)	165	37.0	73.2	127.0	14.3	4	15.8	98.6
2" (50)	178	49.0	91.9	152.4	15.8	4	19.1	120.7
2-1/2" (65)	191	63.0	104.6	177.8	22.4	4	19.1	139.7
3" (80)	203	75.0	127.0	190.5	23.9	4	19.1	152.4
4" (100)	229	101.0	157.2	228.6	23.9	8	19.1	190.5
5" (125)	356	126.0	185.7	254.0	23.9	8	22.4	215.9
6" (150)	394	151.0	215.9	279.4	25.4	8	22.4	241.3
8" (200)	457	202.0	269.7	342.9	28.4	8	22.4	298.5
10" (250)	533	253.0	323.9	406.4	30.2	12	25.4	362.0
12" (300)	610	304.0	381.0	482.6	31.8	12	25.4	431.8

All dimensions are in millimeters unless otherwise specified. Dimensions are for reference only, subject to change.



DESIGN FEATURES:-

- 1) MFG. STD. BS 5351
ANSI B16.34
- 2) FACE TO FACE AS PER
ANSI B16.10
- 3) FLANGE ENDS AS PER
ANSI B16.5
- 4) TESTED AS PER BS 6755,
API 598
- 5) AVAILABLE WITH
ACTUATOR OPERATOR
AND OTHER ACTUATORS

Class-300

Size (NB)	A	B	C	D	E	G	H	K
1/2" (15)	140	12.5	35.1	95.3	14.3	4	15.8	66.5
3/4" (20)	152	17.0	42.9	117.3	15.8	4	19.1	82.6
1" (25)	165	24.0	50.8	124.0	17.6	4	19.1	88.9
1-1/2" (40)	190	37.0	73.2	155.4	20.6	4	22.4	114.3
2" (50)	216	49.0	91.9	165.1	22.4	8	19.1	127.0
2-1/2" (65)	241	63.0	104.6	190.5	25.4	8	22.2	149.4
3" (80)	283	75.0	127.0	209.6	28.4	8	22.4	168.1
4" (100)	305	101.0	157.2	254.0	31.8	8	22.4	200.2
5" (125)	381	126.0	185.7	279.4	35.1	8	22.4	235.0
6" (150)	403	151.0	215.9	317.5	36.6	12	22.4	269.7
8" (200)	502	202.0	269.7	381.0	41.1	12	25.4	330.2
10" (250)	568	253.0	323.9	444.5	47.8	16	28.4	387.4
12" (300)	648	304.0	391.0	520.7	50.8	16	31.8	450.9

All dimensions are in millimeters unless otherwise specified. Dimensions are for reference only, subject to change.