

S.NO.	DESCRIPTION	QTY.	MATERIAL
14	NON ROTATING VEE TIP	3	TITANIUM/17-4 PH
13	WASHER	3	A479-316/A-105
12	DUST CAP	3	PLASTIC LD.
11	LOCK PIN	3	A479-316/A-105
10	HANDLE	3	A276-304/A-105
9	GRUB SCREW	3	STEEL
8	LOCK NUT	3	A479-316/A-105
7	SPINDLE	3	A276-316
6	PACKING WASHER	3	A479-316/A-105
5	PACKING	3	PTFE/GRAPHOIL
4	WASHER	3	A479-316/A-105
3	GLAND RETAINER	3	A479-316/A-105
2	BONNET	3	A479-316/A-105
1	BODY	1	A479-316/A-105

**MATERIAL OF CONSTRUCTIONS**

**NON ROTATING BALL TIP :**

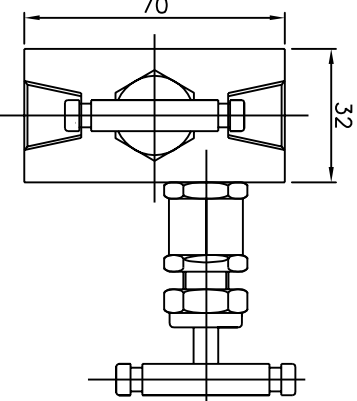
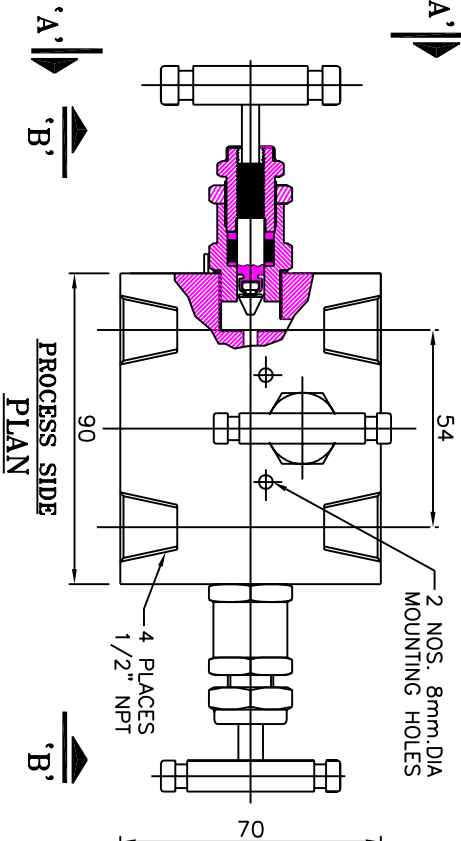
NON ROTATING VEE TIP PREVENTS GALLING & PROMOTES REPETITIVE SHUT-OFF. OPTIONAL BALL & PACKING MATERIAL IS AVAILABLE FOR HIGH TEMP. RATING 1000°F @6000 PSI (GRAPHOIL PACKING). HARD STELLITE/TITANIUM VEE STEM & PTFE PACKING. (STANDARD).

**FEATURES :**

ONE PIECE BODY CONSTRUCTION FOR HIGH STRENGTH & FULL SAFETY. NO WELDING. 316 S.S./Monel 400 BODY CONSTRUCTION FOR SUPERIOR CORROSION RESISTANCE. 100% TESTED AT ALL SEATS. CENTER LINE DIMENSION 54mm (2-1/8") FOR ROOPER PORT ALIGNMENT.

**MANIFOLD SELECTION INFORMATION DATA :**

PRESSURE & TEMPERATURE RATING ARE SELECTED FROM ANSI B16.34 FOR STANDARD CLASS VALVES BASED ON ANSI B16-CLASS 2500 OPTIONAL SOUR GAS SERVICE CONFIRMS TO INCE STD. MR-01-75

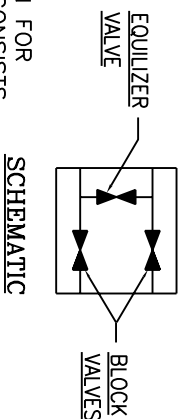


**PRESSURE RATING :**

TEMP.	C.S.	S.S	ORIFICE	CV
ROOM T	6000 PSI	6000 PSI		
500°F	4000 PSI	4000 PSI	3.5 mm.	0.24 MAX.
1000°F	1500 PSI	1500 PSI		

PANAM 3 VALVE MANIFOLD R-TYPE PIPE TO PIPE CONNECTION DESIGN FOR CONNECTING SYSTEM IMPULSE LINES & TRANSMITTERS. THIS MANIFOLD CONSISTS TO 1/2" NPT FEMAL CONNECTIONS ON 54mm. (2-1/8") CENTERS AND OF ONE EQUALIZER VALVE AND TWO BLOCK VALVE.

NOTE:-1) DIMENSIONS ARE IN MM.FOR REFERENCE ONLY, SUBJECT TO CHANGE.  
2) APPROXIMETE WEIGHT = 1.9 KGS. (4.2 LBS)



**TITLE: - 3 VALVE MANIFOLD (PIPE TO PIPE)**

DRN.	MT	SCALE	N.T.S.
CHD.	ET	DATE	17.07.2001
APPD.	JP	DRG.NO.:	3VM-8-SS-R

**PANAM ENGINEERS**  
AN ISO 9001 : 2000 COMPANY  
MUMBAI - INDIA